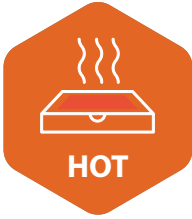


Counter Top Heated Merchandisers

HDC1



FEATURES - HDC1

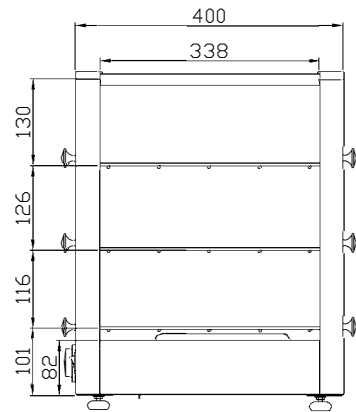
- Stainless steel construction
- Front curved glass
- Adjustable temperature controller
- 4x GN1/3 pans included (depth 40mm)
- Back doors

BPW1



FEATURES - BPW1

- Stainless steel construction
- Brilliant Internal LED illumination on sides
- Non-adjustable chrome plated shelves
- Adjustable temperature controller
- Front and rear access with hinge doors



TECHNICAL SPECIFICATIONS - HDC1 & BPW1

Controller:	Manual thermostat with analogue temperature display
Temperature Range:	+30°C ~ +90°C
Power Supply:	13amp

MODEL	GROSS CAPACITY	EXTERNAL DIMENSIONS (H x W x D mm)	POWER CONSUMPTION	DECIBELS	WEIGHT (kg)	RRP
HDC1	46L	336 x 773 x 420	500W	25dBA	18	
BPW1	115L	500 x 700 x 400	1250W	25dBA	30	

