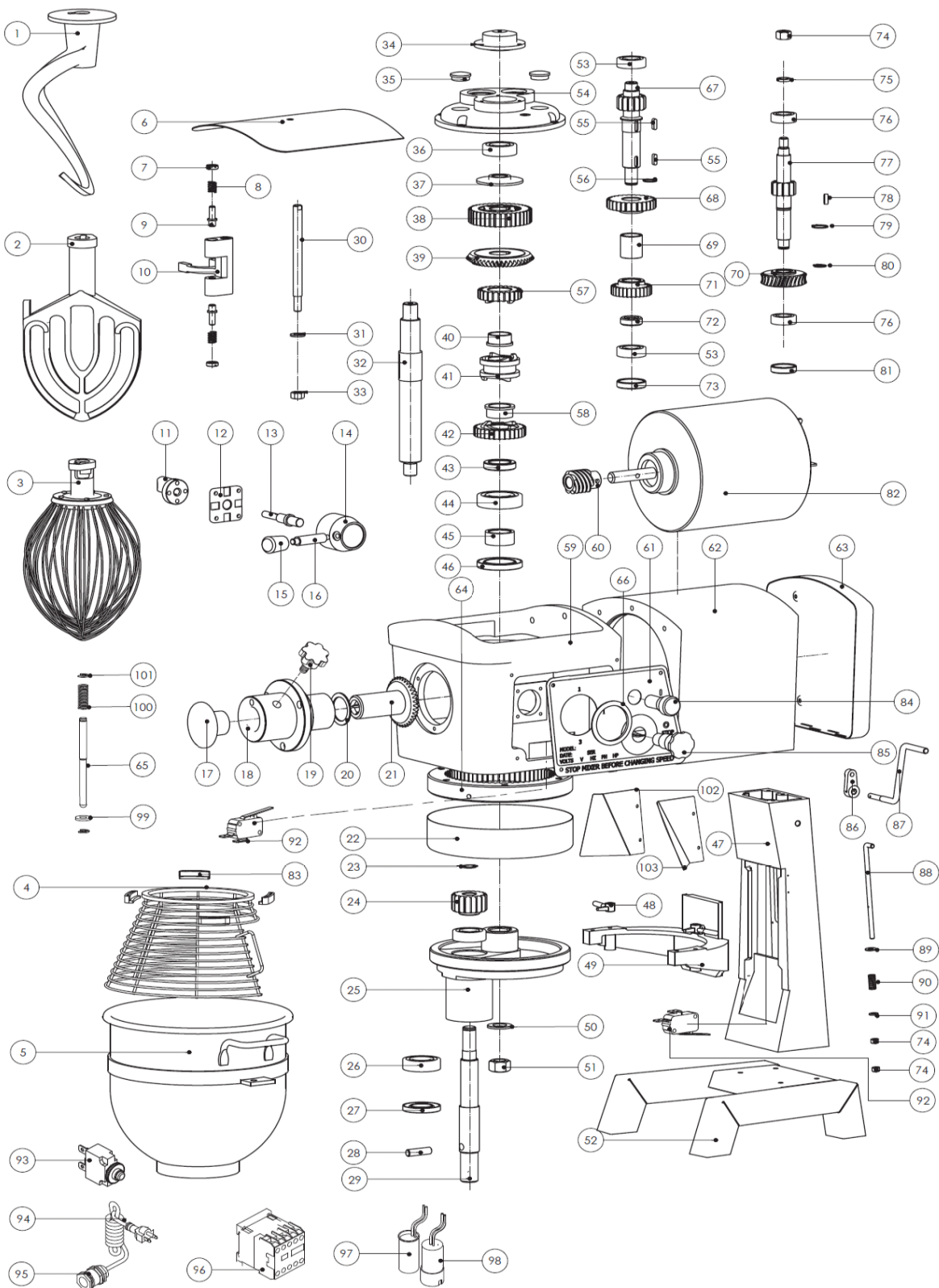


FMX30

Exploded parts diagram







Part Number	Number	Description	Qty
***	1	Hook	1
B3-ZMX6001182	2	Beater	1
***	3	Wire Whip	1
***	4	Safety Guard	1
B3-MX301185	5	Bowl	1
***	6	Top Cover	1
***	7	Screw	2
***	8	Spring	1
***	9	Pin Shaft	1
***	10	Shifting Yoke	1
***	11	Cam Gear Shifter	1
***	12	Plate Shifter Index	1
***	13	Handle Shifter	1
***	14	Handle Set	1
***	15	Turnset	1
***	16	Speed Handle	1
***	17	Plug Attachment Hub	1
***	18	Attachment Hub	1
***	19	Spring	1
***	20	Circlips	1
***	21	Gear	1
***	22	Hood Ring	1
***	23	Circlips for Shaft	1
***	24	Planet Gear	1
***	25	Operating Shelf	1
***	26	Bearing	1
***	27	Oil Seal	1
***	28	Pin	1
***	29	Working Shaft	1
***	30	Declutch Shift Shaft	1
***	31	Plate	1
***	32	Main Shaft	1
***	33	Nut	1
***	34	Top Valve Cap	1
***	35	Flat Valve Cap	2
***	36	Bearing	1
***	37	Spacer – Lower	1
***	38	Gear	1
***	38-1	Machined Parts	1
***	38-2	Gear	1
***	38-3	Roller	1
***	38-4	Spring	1
***	39	Gear	1
***	40	Bushing	1
***	41	Sleeve	1
***	42	Gear	1

Part Number	Number	Description	Qty
***	43	Clamp Plate	1
***	44	Bearing	1
***	45	Bushing	1
***	46	Oil Seal	2
***	47	Body Housing	1
***	48	Bowl Holder Kit	1
***	49	Support	1
***	50	Clamp Plate	1
***	51	Nut	1
***	52	Base	1
***	53	Bearing	1
***	54	Transmission Shaft Support	1
***	55	Key	2
***	56	Circlips for Shaft	1
***	57	Gear	1
***	58	Bushing	1
***	59	Front Housing	1
***	60	Worm Wheel	1
***	61	Badge Plate	1
***	62	Case	1
***	64	Back Cover	1
***	65	Internal Gear	1
***	66	Seal Ring	1
***	67	Gear Shaft	1
***	68	Gear	1
***	69	Bushing	1
***	70	Gear	1
***	71	Gear	1
***	72	Plate	1
***	73	Plug	1
***	74	Nut	3
***	75	Spring Plate	1
***	76	Bearing	2
***	77	Shaft Worm Gear	1
***	78	Key	1
***	79	Circlips for Shaft	1
***	80	Circlips for Shaft	1
***	81	Plug	1
***	82	Motor	1
***	83	Stop Block	4
***	84	Green Button	1
***	85	Red Button	1
***	86	Crank Lever	1
***	87	Handle Shifter	1
***	88	Connecting Rod	1
***	89	Spring	1
***	90	Spring Plate	1

***	91	Clamp Plate	1
***	92	Distance Switch	1
***	93	Overload Switch	1
***	94	Power Cord	1
***	95	Power Supply Waterproof Connectors	1
***	96	Contactors	1
***	97	Capacitor	1
***	98	Capacitor	1
***	99	Switch Mounting Collar	1
***	100	Switch Compression Spring	1
***	101	Split Washer	2
***	102	Left Guard	1
***	103	Right Guard	1

***** Please contact Spares for assistance*****