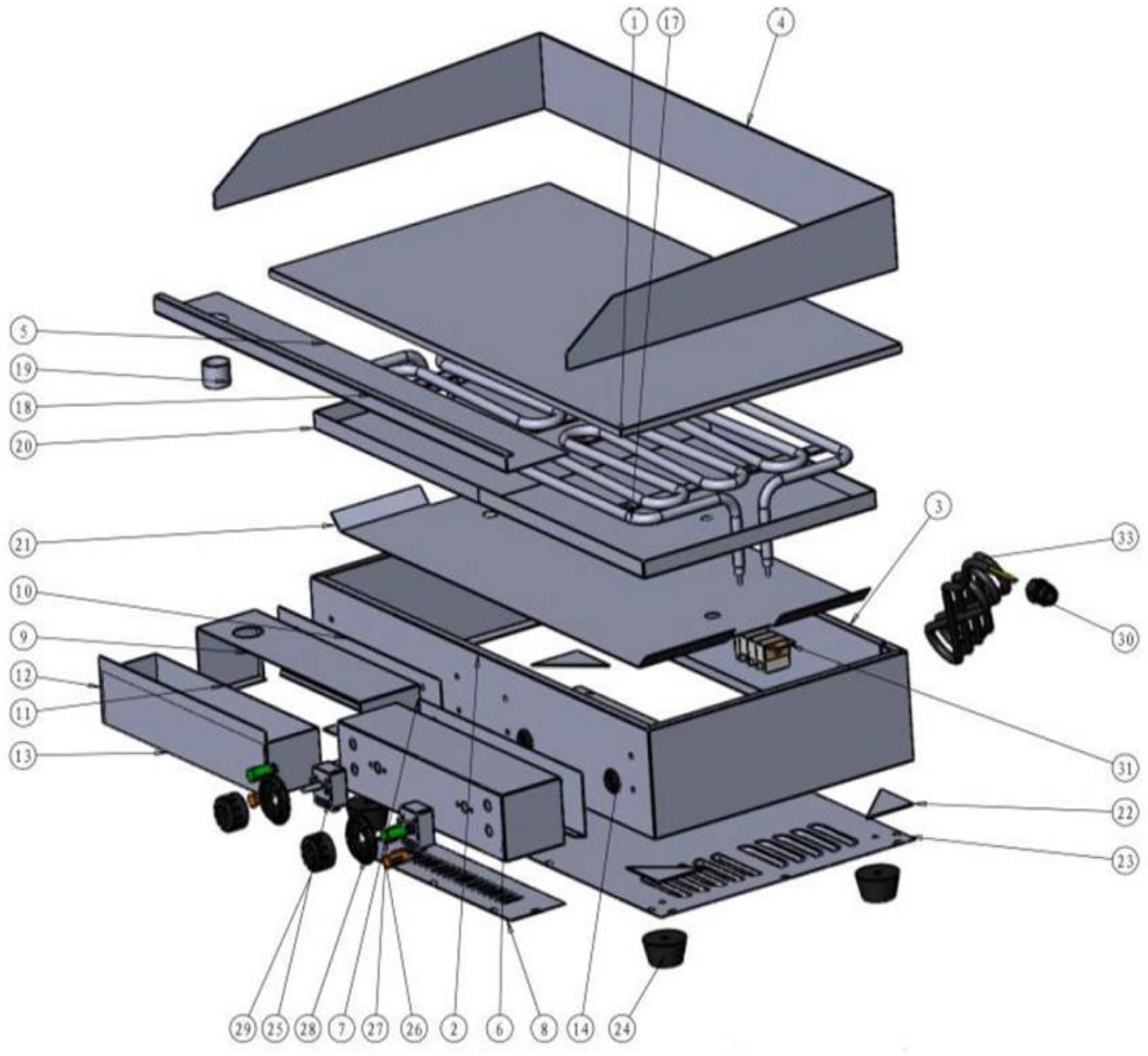


BG2A

Exploded parts diagram







Number	Description	Qty
1 ~ 5	Hot Plate Components	1
6 ~ 8	Components	1
9 ~ 13	Grease Trap Components	1
14	Seal Ring	2
17	Heating Element	2
18	Heating Element Press Plate	1
19	Oil Drain Pipe	1
20	Inner Insulation Panel	1
21	Outer Insulation Panel	1
22	Foot Fixing Plate	4
23	Bottom Panel	1
24	Rubber Foot	4
25	Thermostat	2
26	Heating Indicator	2
27	Power Indicator	2
28	Thermostat Base	2
29	Thermostat Knob	2
30	Cord Clamp	2
31	Ceramic Terminal	4
33	Power Cord	2

*** Please contact Spares for assistance ***