



Planetary Mixer Instruction Manual



Pack Contents

The following is included:

- Food Mixer
- Spiral Dough Hook
- Whisk
- Mixing Bowl
- Beater
- Instruction Manual

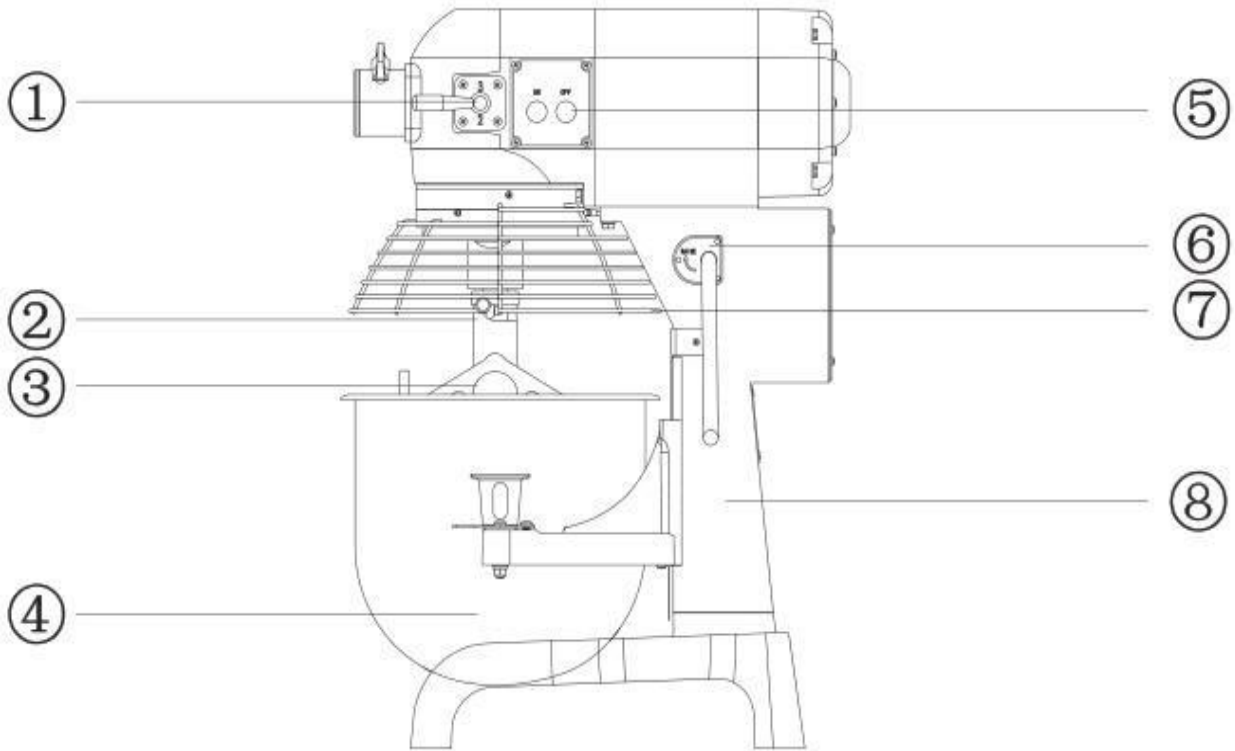
General Description

This is a kind of changing speed gear mixer. With its planetary stirring design, it has a compact structure, high efficiency, power saving and easy operation. It provides as an ideal assistant to you for bread and cake making.

Technical Parameters

Name	Power (KW)	Weight (KG)	Speed of Stirring Shaft (r/min)			Overall Dimensions (mm)
			1st Speed	2nd Speed	3rd Speed	
10L	0.55/0.75	45	108	195	355	505 x 475 x 710
20L with hub	1.1	108	108	195	355	630 x 590 x 890
30L with hub	1.5	180	91	166	282	710 x 670x 1270

Main External Parts of Mixer



- ① Gear change hand lever
- ② Stirring shaft
- ③ Mixer
- ④ Stainless barrel
- ⑤ Power switch
- ⑥ Bent lever
- ⑦ Safety guard (may choose the fitting)
- ⑧ Support

Operation Instruction

- ① Standard power supply 230v/50 HzAc. (Please use a plug with 3 wide contacts and good grounding.)
- ② Installation of mixer: Put the stirring shaft 2 in Mixer 3 and rotate it in clockwise direction.
- ③ Starting procedures: Pull the hand lever 6 to raise the bowl and close the safety grille 7 to the closed position. Select the speed required by moving the gear change hand lever 1 before starting, then turn on the power switch 5. Run the mixer for a maximum of 30 minutes of constant run.
- ④ Speed transformation: If you want to change speed, please turn off the power switch 5 firstly, and then pull the gear change hand lever 1 to the position required.
- ⑤ Shutting down: when the operation is complete, turn off the power switch 5 firstly, then pull the gear change hand lever 1 to position 1, and pull back the hand lever 6 to the lowest point and finally disconnect power supply.

Accessories and Functions

- ① Whisk: Used for stirring of liquid material, such as cream and egg. Recommended speed: mid or high speed.
- ② Beater: Used for stirring of paste, powder and fragmental material, such as stuffing and cake dough. Recommended speed: start with low-speed, end with a mid-speed.
- ③ Spiral dough hook: Used for stirring of sticky material, such as dough. Recommended speed: low speed.

Notes

- ① The power socket must be provided with a good ground wire to guarantee the mixer's good grounding through it. There will be an electric shock if no ground wire or an improper grounding mounted. The ground wire can never be connected with gas pipe, water pipe, lightning rod or telephone line. Electric leakage should be checked after installation. Once the power line damaged, the user must replace them in the special maintain service company.
- ② Don't put your hands into the stirring barrel during operation. Power supply should be disconnected before the mixer is going to be installed.
- ③ Don't operate the mixer beyond the time limit to prevent reduction of its service life.
- ④ The mixer should be mounted on a stable and clean place. Keep it away from overheated or over-wet places and away from equipment which has strong electromagnet or can produce strong electromagnet.
- ⑤ Keep the machine clean constantly. Disconnect power supply before maintenance. Clean it with a piece of soft and a bit wet cloth. Don't clean it with liquid or spraying detergent.

Maintenance

Clean the bowl and stirrer daily or after use to maintain hygiene standard.

The transmission gear box is greased in factory. Check the greasing each 6 months. To assess or refill grease, open the top cover, then fill grease from aperture or replace the grease directly.

Trouble Shooting

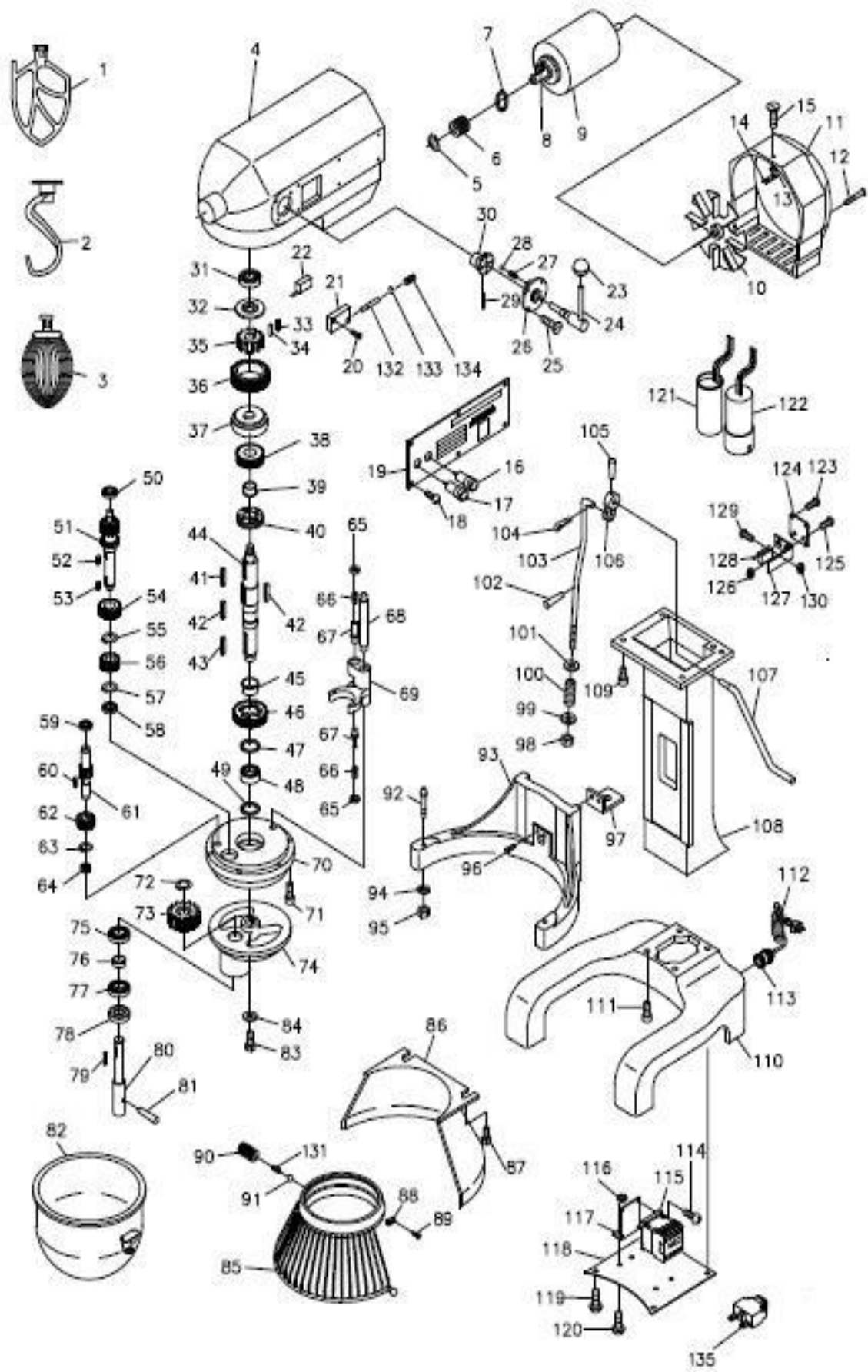
Problems	Causes	Solutions
Tool shaft does not rotate after starting the machine	Loosen electric wiring	Check electric wiring, tighten those loose connects
Oil leakage	The seal rings are worn out	Replace seal rings
Motor temperature raised while reduced output speed	Too low voltage	Check the power supply
	Overloaded	Reduce load
	The sped of mixing is too high or using a wrong stirrer	Select a suitable speed and stirrer
The mixing knocks with the bowl	The stirrer or bowl is deformed	Repair or replace the stirrer or bowl
Abnormal noise and high temperature from gearbox	Insufficient lubrication	Add or replace the grease
Accessories cannot be removed from motor	Debris (flour)stuck in the spigot / attachment	Clean the attachment and spigot with warm water, push upwards and turn to disengage fitting, pull down to withdraw attachment

Warning!

If the equipment is out of function, please make sure that it is serviced by professional person or please turn to special service point.

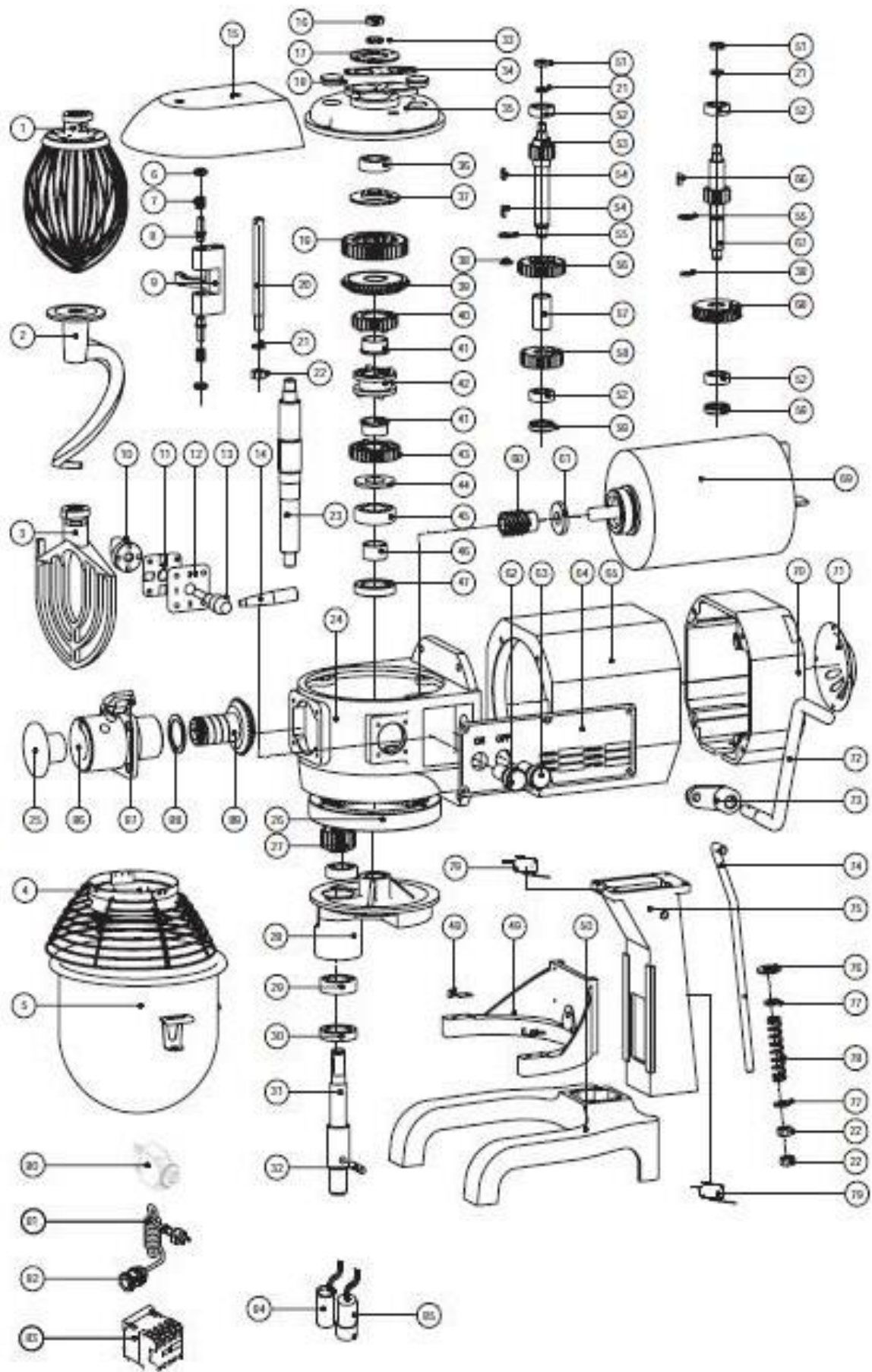
Parts of 10L

SER.NO.	PART.NO.	PART NAME	SER.NO.	PART.NO.	PART NAME
1	10-1	Flat Beater	69	10-69	Shifting yoke
2	10-2	Hook	70	10-70	Inner gear
3	10-3	Wire whip	71	10-71	hexagon socket cap screws
4	10-4	Gear box	72	10-72	Circlips for shaft
5	10-5	Circlips for shaft	73	10-73	Planet gear
6	10-6	Worm pole	74	10-74	Operating shelf
7	10-7	Oil seal	75	30-76	Bearing
8	10-8	Key	76	10-76	Running shaft support
9	10-9	Motor	77	30-76	Bearing
10	10-10	fan	78	10-78	Oil seal
11	10-11	Back cover	79	10-79	Key : 5X20
12	10-12	Nut:M5X60	80	10-80	running spindle
13	10-13	Spring washer	81	10-81	Retainer-spring
14	10-14	Connector	82	10-82	Bowl
15	10-15	Nut:M4X8	83	10-83	cross recess pan head screw
16	10-16	Red button	84	10-84	Moving frame clamp
17	10-17	Green button	85	10-85	front shield
18	10-18	Nut:M4X8	86	10-86	back shield
19	10-19	Brand	87	10-87	hexagonal headbolt
20	10-20	Nut:M4X20	88	10-88	Bump pin block
21	10-21	The micro switch installation	89	10-89	cross recessed countersunk head screw
22	10-22	Distance switch	90	10-90	Allen flat end set screws
23	10-23	Nob	91	10-91	steel ball
24	10-24	Speed handle	92	10-92	Taper pin column
25	10-25	Nut:M4X8	93	10-93	Support
26	10-26	fix seat	94	10-94	Spring washer
27	10-27	Spring	95	10-95	Type 1 hexagonal nut
28	10-28	steel ball	96	10-96	cross recessed countersunk head screw
29	10-29	Retainer-spring	97	10-97	Support lifting climbing
30	10-30	nob	98	10-98	hexagon lock nut
31	10-31	deep groove ball bearing	99	10-99	flat washer
32	10-32	Plug	100	10-100	compression spring
33	10-33	Spring	101	10-101	flat washer
34	10-34	Roller: 6X10	102	10-102	elastic cylindrical pin
35	10-35	Gear	103	10-103	Connecting rod
36	10-36	Super machineparts	104	10-104	cotter
37	10-37	ring gasket	105	10-105	Retainer-spring
38	10-38	Combination of gear	106	10-106	Crank lever
39	10-39	Gear shaft sleeve	107	10-107	Handle
40	10-40	Claw-type clutch	108	10-108	Stud
41	10-41	Key : 5X25	109	10-109	hexagonal headbolt
42	10-42	Key : 5X30	110	10-110	foundation
43	10-43	Key : 5X30	111	10-111	hexagonal headbolt
44	10-44	Main shaft	112	10-112	Power cord
45	10-45	Gear shaft sleeve	113	10-113	Power supply is waterproof connectors
46	10-46	Gear	114	10-114	cross recess pan head screw
47	10-47	Spring washer	115	10-115	Contact switch
48	30-36	Bearing	116	10-116	Type 1 hexagonal nut
49	10-49	Oil seal	117	10-117	Ac contactor stents
50	10-50	Bearing	118	10-118	shied
51	10-51	Gear shaft	119	10-119	cross recess pan head screw
52	10-52	Key : 5X10	120	10-120	cross recess pan head screw
53	10-53	Key : 5X10	121	10-121	Capacitor
54	10-54	Combination of gear	122	10-122	Capacitor
55	10-55	Circlips for shaft: 55	123	10-123	cross recess pan head screw
56	10-56	Gear	124	10-124	Travel switch fixed plate
57	10-57	Circlips for shaft	125	10-125	cross recess pan head screw
58	10-58	Bearing	126	10-126	Type 1 hexagonal nut
59	10-59	Bearing	127	10-127	Travel switch bracket
60	10-60	Key : 5X14	128	10-128	Distance switch
61	10-61	Shaft worm gear	129	10-129	cross recess pan head screw
62	10-62	Worm gear	130	10-130	Type 1 hexagonal nut
63	10-63	Circlips for shaft	131	10-131	Shield compression spring
64	10-64	Bearing	132	10-132	Switch shaft pin
65	30-7	Control nut	133	10-133	split washer
66	10-66	Spring	134	10-134	Switch shaft pin compression spring
67	10-67	Fork pin	135	10-135	overload switch
68	10-68	declutchshaft	Version 4		



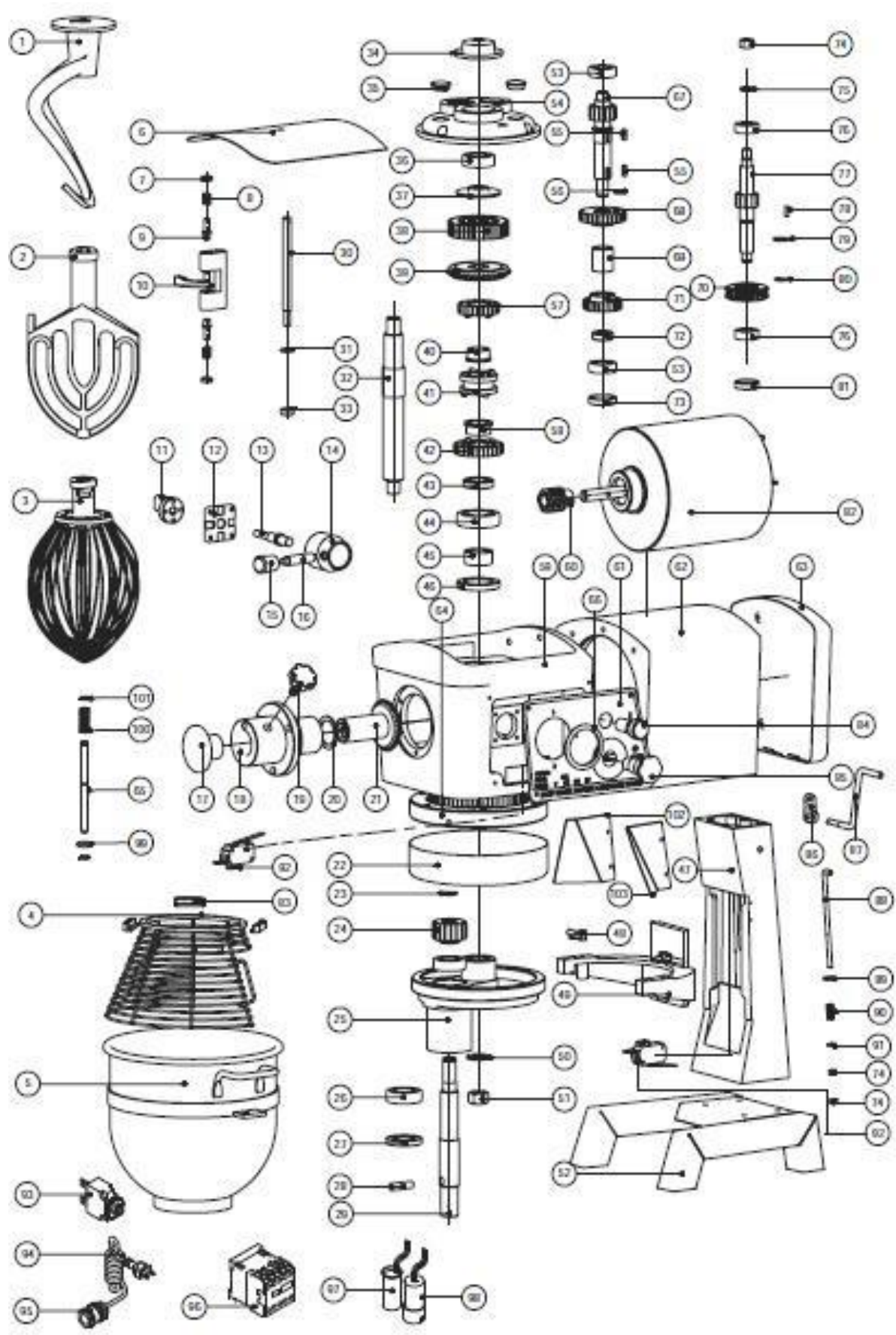
Parts of 20L with hub

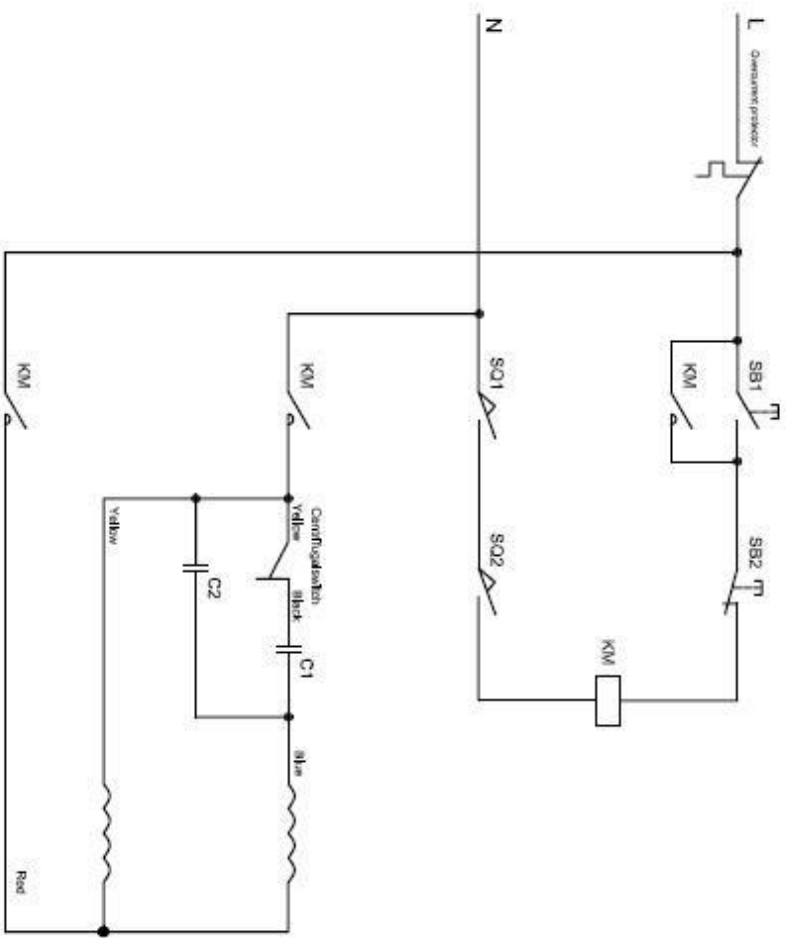
SER.NO.	PART.NO.	PART NAME	SER.NO.	PART.NO.	PART NAME
1	20-1	Wire whip	46	20-46	Bushing
2	20-2	Spiral dough hook	47	20-47	Oil seal
3	20-3	Flat Beater	48	20-48	Fore lump
4	20-4	Safety guard	49	20-49	Support
5	20-5	Bowl assembly	50	20-50	Case
6	30-7	Plunger-shifter yoke	51	20-51	Nut
7	30-8	Spring	52	20-52	Bearing
8	30-9	Pin shaft	53	20-53	Mid-gear wheel
9	20-9	Shifting yoke	54	20-54	Key
10	30-11	Cam-gear shifter	55	20-55	Circlips for shaft
11	30-12	Plate-shifter index	56	20-56	Gear
12	20-12	Handle-shifter cover	57	20-57	Bushing
13	20-13	Handle-shifter	58	20-58	Gear
14	20-14	Speed handle	59	20-59	Plug cover
15	20-15	Gear case gland	60	20-60	Worm wheel
16	20-16	Nut	61	20-61	Oil seal
17	20-17	Pressing plate	62	30-84	Green button
18	30-35	Plug cover	63	20-63	Red button
19	20-19	Super machine parts	64	20-64	Brand
20	20-20	Declutch shift shaft	65	20-65	Motor box
21	20-21	Ring	66	20-66	Key
22	20-22	Nut	67	20-67	Shaft worm gear
23	20-23	Main shaft	68	20-68	Gear
24	20-24	Gear box	69	20-69	110V/50HZ Motor(with tool)
25	20-25	Plug attachment hub	70	20-70	Back housing
26	20-26	Internal gear	71	20-71	Back Cover
27	20-27	Gear	72	20-72	Handle-shifter
28	20-28	Operating shalf	73	20-73	Crank lever
29	30-36	Bearing	74	20-74	Connecting rod
30	20-30	Oil seal	75	20-75	Stud
31	20-31	Working shaft	76	20-76	Clamp plate
32	20-32	Retainer-pin	77	20-77	Clamp plate
33	20-33	Spring	78	20-78	Spring
34	20-34	Pressing plate	79	30-92	Distance switch
35	20-35	Transmission shaft support	80	20-80	Overload switch
36	30-53	Bearing	81	20-81	Power cord
37	20-37	Spacer-lower	82	20-82	Power supply is waterproof connectors
38	20-38	Circlips for shaft			
39	20-39	Ring gasket	83	20-83	Contact switch
40	20-40	Gear	84	20-84	Capacitor
41	30-40	Bushing	85	20-85	Capacitor
42	20-42	Sleeve	86	20-86	Attachment hub
43	20-43	Claw type gear wheel	87	20-87	Spring
44	20-44	Ring	88	20-88	Circlips
45	30-26	Bearing	89	20-89	Gear



Parts of 30L with hub

SER.NO.	PART.NO.	PART NAME	SER.NO.	PART.NO.	PART NAME
1	30-1	Hook	51	30-51	Nut
2	30-2	Beater	52	30-52	Base
3	30-3	Wire Whip	53	30-53	Bearing
4	30-4	Safety guard	54	30-54	Transmission shaft support
5	30-5	Bowl	55	30-55	Key
6	30-6	Top cover	56	30-56	Circlips for shaft
7	30-7	Screw	57	30-57	Gear
8	30-8	Spring	58	30-58	Bushing
9	30-9	Pin shaft	59	30-59	Front housing
10	30-10	Shifting yoke	60	30-60	Worm wheel
11	30-11	Cam-gear shifter	61	30-61	MARK
12	30-12	Plate-shifter index	62	30-62	Case
13	30-13	Handle-shifter	63	30-63	Back cover
14	30-14	Handle set	64	30-64	Internal gear
15	30-15	Turnset	65	30-65-version 3	switch axle
16	30-16	Speed handle	66	30-66	Seal up ring
17	30-17	Plug attachment hub	67	30-67	Gear shaft
18	30-18	Attachment hub	68	30-68	Gear
19	30-19	Spring	69	30-69	Bushing
20	30-20	Circlips	70	30-70	Gear
21	30-21	Gear	71	30-71	Gear
22	30-22	Hood ring	72	30-72	Plate
23	30-23	Circlips for shaft	73	30-73	Plug 1
24	30-24	Planet gear	74	30-74	Nut
25	30-25	Operating shelf	75	30-75	Spring plate
26	30-26	Bearing	76	30-76	Bearing
27	30-27	Oil seal	77	30-77	Shaft worm gear
28	30-28	Pin	78	30-78	Key
29	30-29	Working shaft	79	30-79	Circlips for shaft
30	30-30	Declutch shift shaft	80	30-80	Circlips for shaft
31	30-31	Plate	81	30-81	Plug 2
32	30-32	Main shaft	82	30-82	110V/50HZ Motor(with tool)
33	30-33	Nut	83	30-83-version 3	stop block
34	30-34	Top batter valve cap	84	30-84	Green button
35	30-35	Flat valve cap	85	30-85	Red button
36	30-36	Bearing	86	30-86	Crank lever
37	30-37	Spacer-lower	87	30-87	Handle-shifter
38	30-38	Super machine parts	88	30-88	Connecting rod
38-1	30-38-1	Super machine parts	89	30-89	Spring
38-2	30-38-2	Gear	90	30-90	Spring plate
38-3	30-38-3	Roller	91	30-91	Clamp plate
38-4	30-38-4	Spring	92	30-92	Distance switch
39	30-39	Gear	93	93	overload switch
40	30-40	Bushing	94	94	Power cord
41	30-41	Sleeve	95	95	Power supply is waterproof connectors
42	30-42	Gear	96	96	Contact switch
43	30-43	Clamp plate	97	97	Capacitor
44	30-44	Bearing	98	98	Capacitor
45	30-45	Bushing	99	99-version 3	switch mounting collar
46	30-46	Oil seal	100	100-version 3	Switch compression spring
47	30-47	Body housing	101	101-version 3	split washer
48	30-48	Bowl hold kits	102	102-version 3	The left guard
49	30-49	Support	103	103-version 3	The right guard
50	30-50	Clamp plate			





8	Running capacitor	CBB60	20UF 450VAC	1	C2
7	Start capacitor	CD60	80UF 250VAC	1	C1
6	Overload protector	88 Series	Ac125/250V 8A	1	
5	Stop button	CP1-10R-01	125-250V 5A	1	Red
4	Start button	CP1-10G-10	125-250V 5A	1	Green
3	Contact switch	CU-11	Ac220V 50Hz	1	
2	Mficio switch	KW9	125-250V 16A	2	
1	Motor	YLG90-4	220V 50Hz	1	

ELECTRIC DIAGRAM

220V 50HZ

Design	Drawing	No.
Check	Date 2015.5.20	
Audit	Scale	

Disposal



EU regulations require product to be disposed of by specialist companies who remove or recycle all gasses, metal and plastic components. Consult your local waste collection authority regarding disposal of your appliance. Local authorities are not obliged to dispose of commercial equipment but may be able to offer advice on how to dispose of the equipment locally. All packaging materials should be disposed of in an environmentally friendly way.

Environmental protection



Discarded electric appliances are recyclable and should not be discarded in the domestic waste! Please actively support us in conserving resources and protecting the environment by returning this appliance to the collection centers (if available).

Compliance

Parts have undergone strict product testing in order to comply with regulatory standards and specification set by international, independent, and federal authorities. Products have been approved to carry the following symbol:



Pentland Wholesale Ltd, Blizzard House, Unit 17 Walker Industrial Estate, Walker Road, Blackburn, Lancashire, BB1 2QE.

Tel: 01254 614444

www.pentlandwholesale.co.uk